



FIRESTOP CENTRE

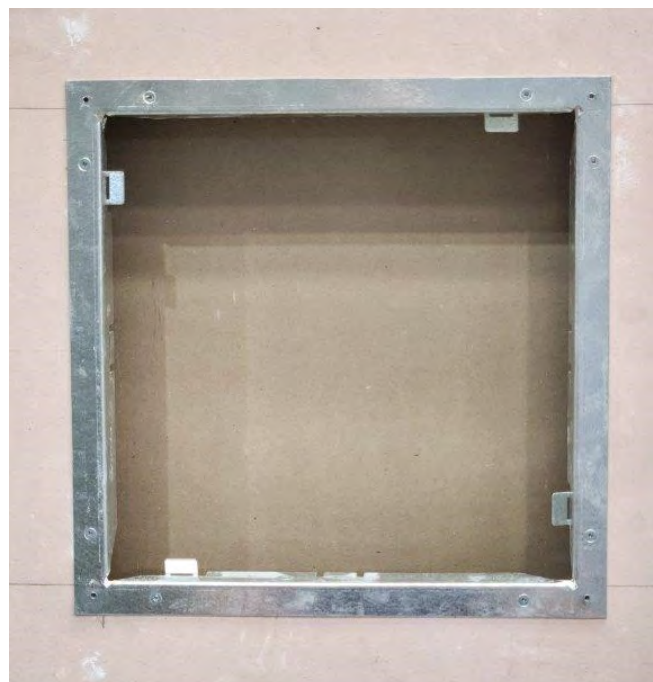
Authorised New Zealand Distributor

Ph (09) 483 4000 www.firestopcentre.co.nz

Installation Instructions - FIRESTOP Inspection Hatch

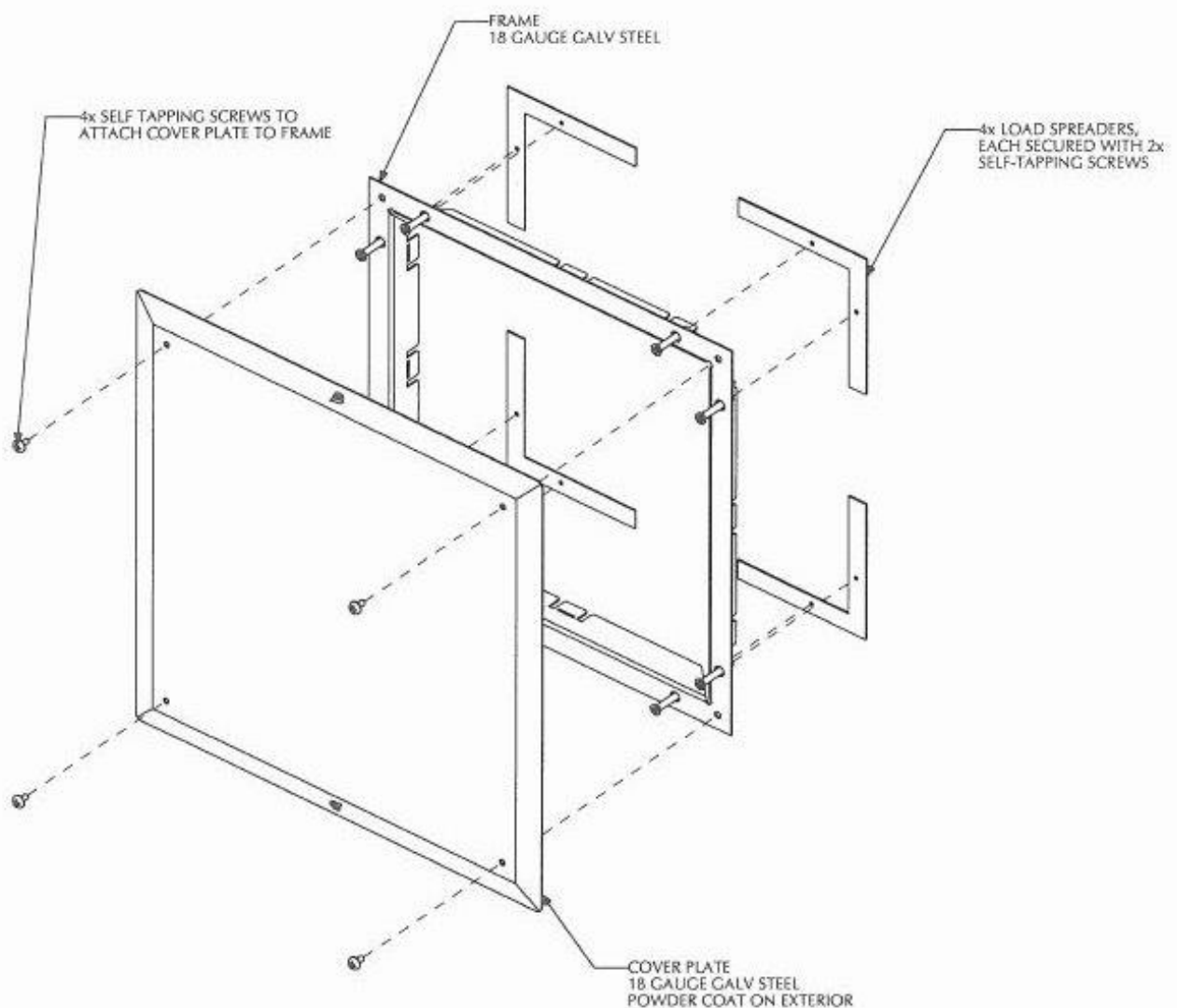
Walls or Ceilings

- 1) Cut a hole in the plasterboard using the frame as a template. The FIRESTOP Inspection Hatch does not require any framing as it is designed to be fixed directly into the plasterboard, although existing framing can be used where available.
- 2) Position the steel frame into the hole and check that it is sitting flush on all four sides. If it is binding at all then ease the hole so that it sits flush with the plasterboard. The frame needs to be a loose fit. For ceiling installations, locate the tabs in the centre of each frame face and bend outwards to hold the frame in place while the load spreaders are attached.
- 3) Place a load spreader at each corner and fix with the supplied screws. The load spreaders have starter holes in the correct positions. Plasterboard may be pre-drilled if required, using the frame as a template.
See diagram on page 2. If attaching directly to existing framing, the load spreaders need only be used on any corners not attached to framing. Do not over-tighten as this may damage the plasterboard. The lowest ratchet setting is sufficient.



4) Insert the screws into the cover plate. The intumescent seal will hold them in place but take care not to dislodge the seal. Position the cover plate over the frame and screw the four cover plate screws to the frame. Do not over-tighten. It is only necessary to tighten the cover plate to the point where the outer edges are just touching the plasterboard.

5) Finally, cover the screw heads with the plastic covers provided and remove the protective plastic sheet. Your FIRESTOP Inspection Hatch is now installed



(Note: Some single layer 13mm and 10mm fire-rated ceiling systems require independent support. See [Firestop Centre website](http://www.firestopcentre.com) for details.)